

Description

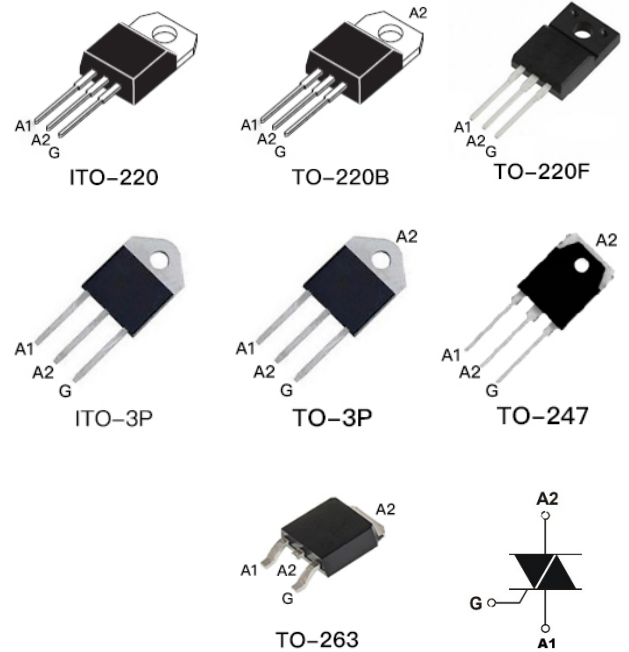
Available in high power packages, the suitable for general purpose AC switching.

Features

- High current TRIAC
- Low thermal resistance with clip bonding
- High commutation capability

Applications

- General purpose AC switch control
- Control loads in Motor, Fan, and Pump.
- Solenoid drivers
- LED Dimming
- Inrush current limiting circuits



Absolute Maximum Ratings ($T_A=25^\circ\text{C}$)

Rating		Symbol	Value
Peak repetitive off-state voltage ($T_J = -40$ to $+125^\circ\text{C}$, Full sine wave, 50Hz to 60Hz; Gate open) (Note 1)		V_{DRM} V_{RRM}	800V
On-state RMS current (full sine wave)		$I_{\text{T(RMS)}}$	25A
Non repetitive surge peak on-state current (full cycle, $T_{\text{initial}} = 25^\circ\text{C}$)	F=50Hz, t=20ms	I_{TSM}	180A
	F=60Hz, t=16.7ms		190A
I^2t Value for fusing	$t_p=10\text{ms}$	I^2t	149.5A ² s
Critical rate of rise of on-state current $I_G=2I_{\text{GT}}$	F=120Hz, $T_J=125^\circ\text{C}$	di/dt	80A/ μs
Non repetitive surge peak off-state voltage	$t_p=10\text{ms}$, $T_J=25^\circ\text{C}$	$V_{\text{DSM}}/V_{\text{RSM}}$	$V_{\text{DRM}}/V_{\text{RRM}}+100\text{V}$
Peak gate current	$t_p=20\mu\text{s}$, $T_J=125^\circ\text{C}$	I_{GM}	8A
Average gate power dissipation	$T_J=125^\circ\text{C}$	$P_{\text{G(AV)}}$	4W
Operating junction and storage temperature ranges		T_J, T_{STG}	-40°C to $+150^\circ\text{C}$

Note:

1. V_{DRM} and V_{RRM} for all types can be applied on a continuous basis.

Blocking voltages shall not be tested with a constant current source such that the voltage ratings of the devices are exceeded.

Electrical Characteristics ($T_J=25^\circ\text{C}$, unless otherwise specified)

Parameter		Symbol	Value	
$V_D=12\text{V}, R_L=33\Omega$	I-II-III	$I_{GT \text{ Max.}}$	35mA	50mA
	ALL	$V_{GT \text{ Max.}}$	1.2V	1.2V
$V_D=V_{DRM}, R_L=100\Omega, T_J=150^\circ\text{C}$	ALL	$V_{GD \text{ Min.}}$	0.2V	0.2V
$I_T=100\text{mA}$		$I_{H \text{ Max.}}^{(1)}$	50mA	75mA
$I_G=1.2I_{GT}$	I-III	$I_{L \text{ Max.}}$	70mA	80mA
	II		90mA	100mA
$V_D=67\%V_{DRM}$ gate open, $T_J=125^\circ\text{C}$		$dv/dt \text{ Min.}^{(1)}$	1000V/ μs	1000V/ μs

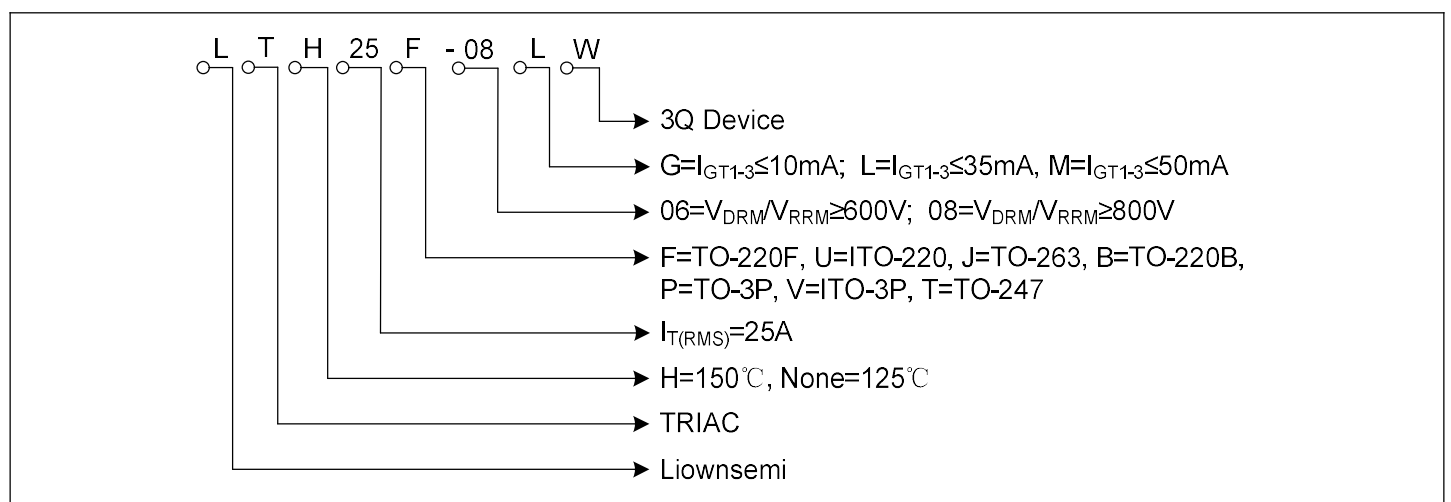
1. for both polarities of A2 referenced to A1

Static Characteristics

Test conditions	Symbol	Value
$I_{TM}=25\text{A}, t_P=380\mu\text{s}, T_J=25^\circ\text{C}$	$V_T \text{ Max.}^{(1)}$	1.4V
Threshold voltage, $T_J=150^\circ\text{C}$	$V_{t0 \text{ Max.}}^{(1)}$	0.95V
Dynamic resistance, $T_J=150^\circ\text{C}$	$R_D \text{ Max.}^{(1)}$	30m Ω
$V_{DRM}=V_{RRM}, T_J=25^\circ\text{C}$	$I_{DRM \text{ Max.}}$	5 μA
$V_{DRM}=V_{RRM}, T_J=125^\circ\text{C}$	$I_{RRM \text{ Max.}}$	8mA

1. for both polarities of A2 referenced to A1

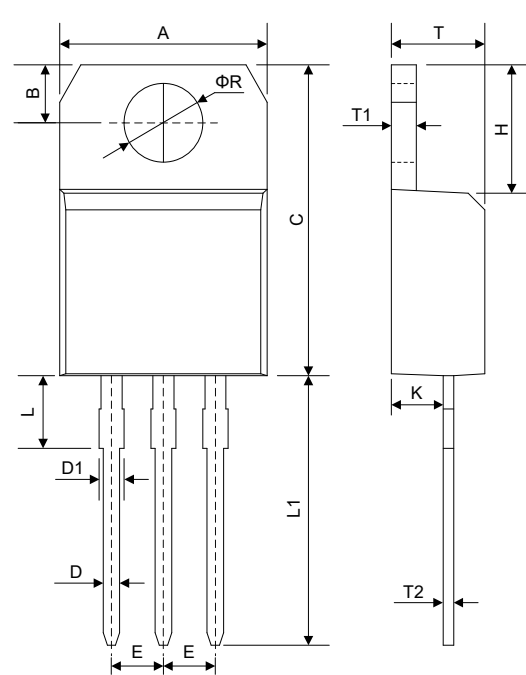
Part Number Code



Ordering Information

Part Number	Marking	Package
LTH25U-08LW	LTH25U-08LW	ITO-220
LTH25U-08MW	LTH25U-08MW	ITO-220
LTH25B-08LW	LTH25B-08LW	TO-220B
LTH25B-08MW	LTH25B-08MW	TO-220B
LTH25F-08LW	LTH25F-08LW	TO-220F
LTH25F-08MW	LTH25F-08MW	TO-220F
LTH25J-08LW	LTH25J-08LW	TO-263
LTH25J-08MW	LTH25J-08MW	TO-263
LTH25P-08LW	LTH25P-08LW	TO-3P
LTH25P-08MW	LTH25P-08MW	TO-3P
LTH25V-08LW	LTH25V-08LW	ITO-3P
LTH25V-08MW	LTH25V-08MW	ITO-3P
LTH25T-08LW	LTH25T-08LW	TO-247
LTH25T-08MW	LTH25T-08MW	TO-247

Dimensions

ITO-220	Symbol	Millimeters	
		Min.	Max.
	A	9.80	10.40
	B	2.65	3.10
	C	14.80	16.10
	D	0.70	0.92
	D1	1.18	1.42
	E	2.40	2.70
	L	2.80	4.20
	L1	13.05	13.60
	H	5.85	6.82
	K	2.35	2.75
	T	4.38	4.61
	T1	1.15	1.36
	T2	0.35	0.65
	ΦR	3.75	3.95

Dimensions

TO-220B	Symbol	Millimeters	
		Min.	Max.
	A	9.80	10.40
	B	2.65	3.10
	C	14.80	16.10
	D	0.70	0.92
	D1	1.18	1.42
	E	2.40	2.70
	L	2.80	4.20
	L1	13.05	13.60
	H	5.85	6.82
	K	2.35	2.75
	T	4.38	4.61
	T1	1.15	1.36
	T2	0.35	0.65
	ΦR	3.75	3.95

TO-220F	Symbol	Millimeters	
		Min.	Max.
	A	9.96	10.36
	B	2.70 REF.	
	D	0.50	0.75
	D1	1.50	1.75
	D2	1.10	1.35
	E	2.54 TYP.	
	H	14.80	15.20
	K	2.50	2.90
	L	28.00	28.40
	L1	1.70	1.90
	L2	1.90	2.10
	T	4.30	4.70
	T1	2.80	3.20
	T2	0.50	0.75
	ΦR	3.50 REF.	

Dimensions

TO-263	Symbol	Millimeters	
		Min.	Max.
	A	9.80	10.20
	B	1.00	1.40
	C	9.00	9.40
	D	0.70	0.90
	D1	1.15	1.35
	E	2.34	2.74
	E1	4.88	5.28
	L	15.00	16.00
	L1	1.20	1.60
	L2	2.24	2.84
	T	4.30	4.70
	T1	1.20	1.40
	T2	0.40	0.60

TO-3P	Symbol	Millimeters	
		Min.	Max.
	A	14.9	15.35
	B	4.1	4.65
	C	20.21	20.75
	D	1.12	1.32
	E	5.35	5.62
	H	7.85	8.22
	K	2.71	2.92
	L	2.5	3.2
	L1	15.02	15.55
	T	4.38	4.65
	T1	1.42	1.62
	T2	0.52	0.68
	ΦR	4.12	4.31

Dimensions

ITO-3P	Symbol	Millimeters	
		Min.	Max.
	A	14.9	15.35
	B	4.1	4.65
	C	20.21	20.75
	D	1.12	1.32
	E	5.35	5.62
	H	7.85	8.22
	K	2.71	2.92
	L	2.5	3.2
	L1	15.02	15.55
	T	4.38	4.65
	T1	1.42	1.62
	T2	0.52	0.68
	ΦR	4.12	4.31

TO-247	Symbol	Millimeters	
		Min.	Max.
	A	15.55	15.65
	B	4.90	5.10
	C	14.80	15.00
	D	1.00	
	D1	2.00	
	D2	2.95	3.05
	E	5.35	5.55
	F	2.90	3.10
	K	1.33	1.43
	L	20.00	20.20
	T	4.75	4.85
	T1	1.492	1.508
	T2	0.585	0.615
	ΦR	3.50	
	$\Phi R1$	7.00	
$\Phi R2$	3.20		

Important Notice and Disclaimer

LLOWN has used reasonable care in preparing the information included in this document, but LLOWN does not warrant that such information is error free. LLOWN assumes no liability whatsoever for any damages incurred by you resulting from errors in or omissions from the information included herein.

LLOWN no warranty, representation or guarantee regarding the documents, circuits and products specification, LLOWN reservation rights to make changes for any documents, products, circuits and specifications at any time without notice.

Purchasers are solely responsible for the choice, selection and use of the LLOWN products and services described herein, and LLOWN assumes no liability whatsoever relating to the choice, selection or use of the products and services described herein.

No license, express or implied, by implication or otherwise under any intellectual property rights of LLOWN.

Resale of LLOWN products with provisions different from the statements and/or technical features set forth in this document shall immediately void any warranty granted by LLOWN for the LLOWN product or service described herein and shall not create or extend in any manner whatsoever, any liability of LLOWN.